

C7 Draw Latch

Flexible · Over-center

Features

- Low profile design
- Non-corrosive materials
- Cushions impact and accommodates misalignment

Material

- Latch: Thermoplastic elastomer, black
- Link and bushings: Glass-filled nylon
- Keeper and bracket: Stainless steel

Product Performance

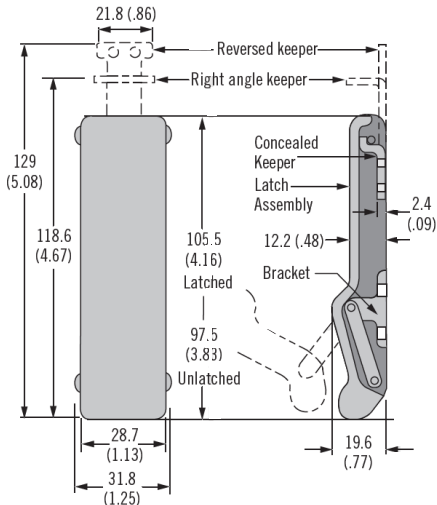
- Clamping force:
 - Small: 49 N
 - Large: 176 N
- Flammability rating: UL94-HB

Installation Notes

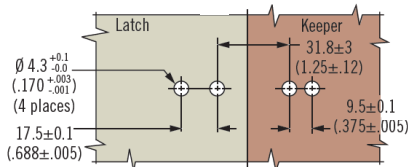
- Small: Install assembly with four Ø4 rivets or M4 screws (not supplied)
- Large: Install assembly with four Ø5 rivets or M5 screws (not supplied)



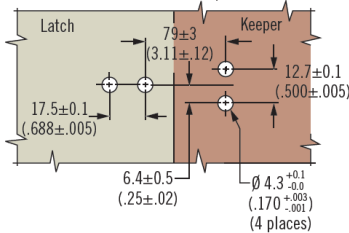
Small



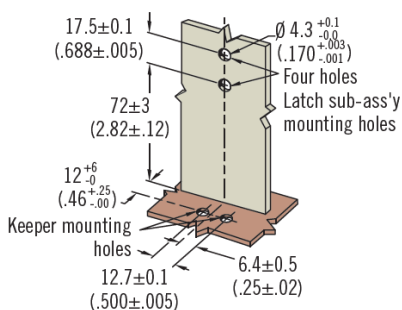
For concealed keeper



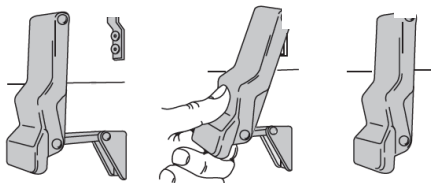
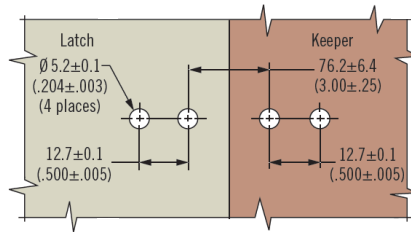
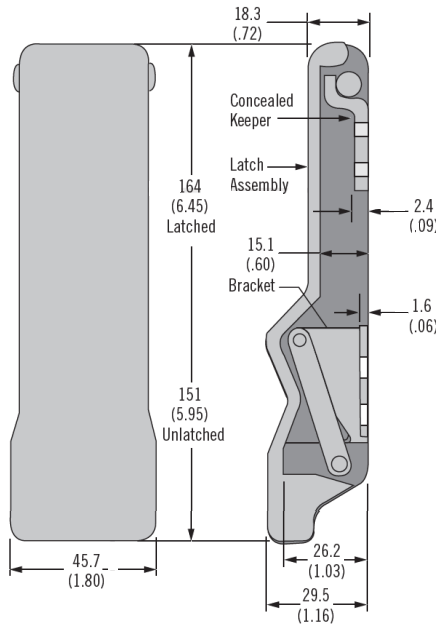
For reversed keeper



For right angle keeper



Large



Size	Keeper Style	Assembly Part Number
Small	Concealed	C7-10
	Reverse Keeper	C7-11
	Right Angle Keeper	C7-12
Large	Concealed	C7-20

We are proud to be Southco's authorized distributor of over 20 years